

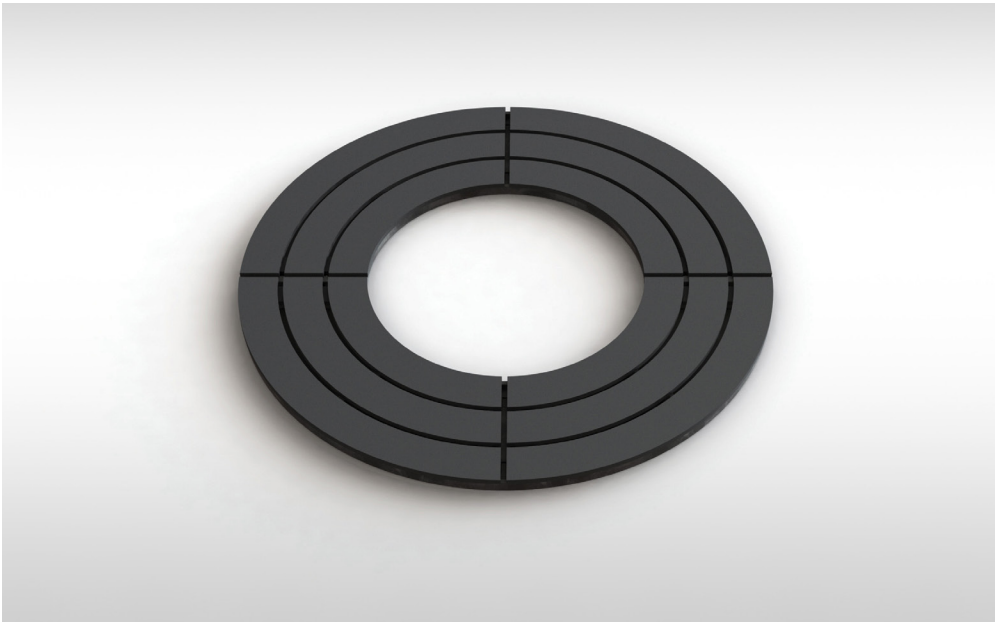


OMIOS

s65
Tree Grille



s65 Tree Grille



DESCRIPTION

Galvanized steel tree grille concentric rings split in four quadrants and set on steel sub-frame.

DIMENSIONS

Outer Diameter 1000mm,
Inner Diameter 520mm.

OPTIONS

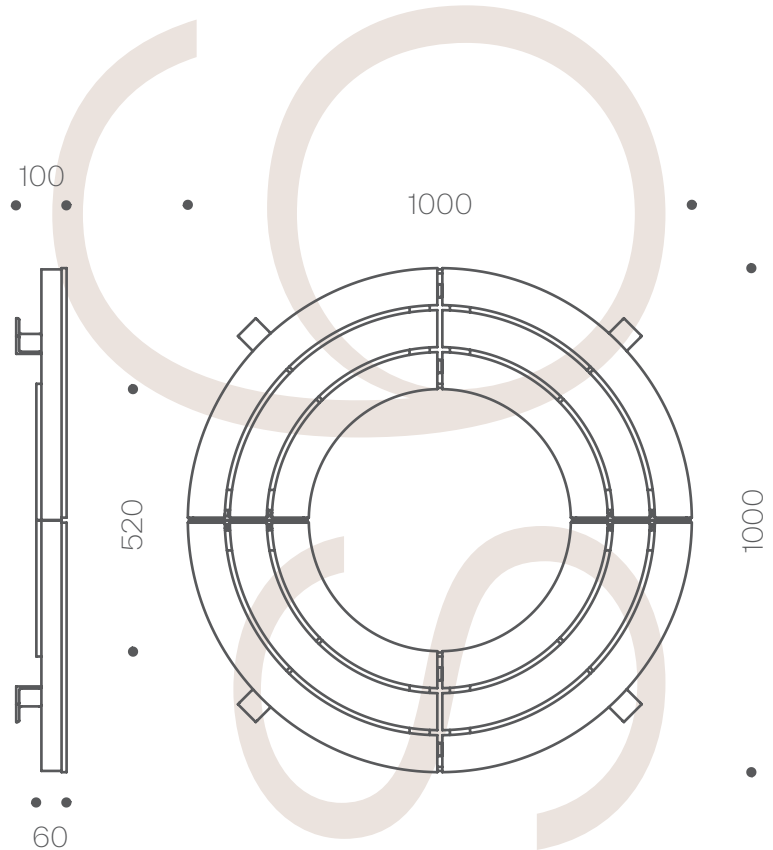
Choice of RAL colours for powder coating.

www.omos.ie
+ 353 45 899 802

Constructed from galvanized mild steel with an anti-slip paint finish, the s65 offers an alternative to the more common square format grille

The tree grille supports the health and longevity of urban trees while enhancing the aesthetic and functional aspects of outdoor spaces.

The s65 is available in a number of anti-slip paint colours.

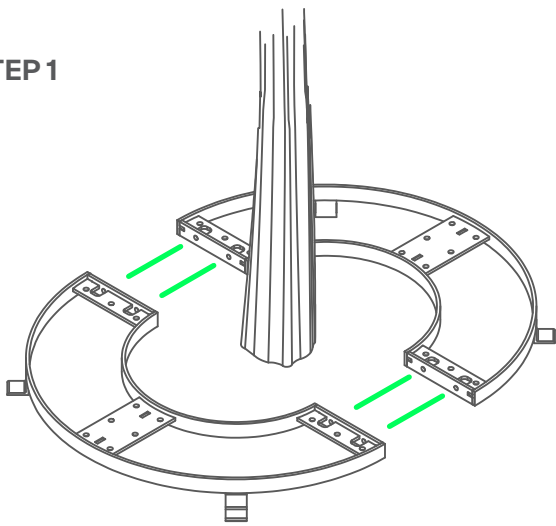


s65 Fixing Instructions

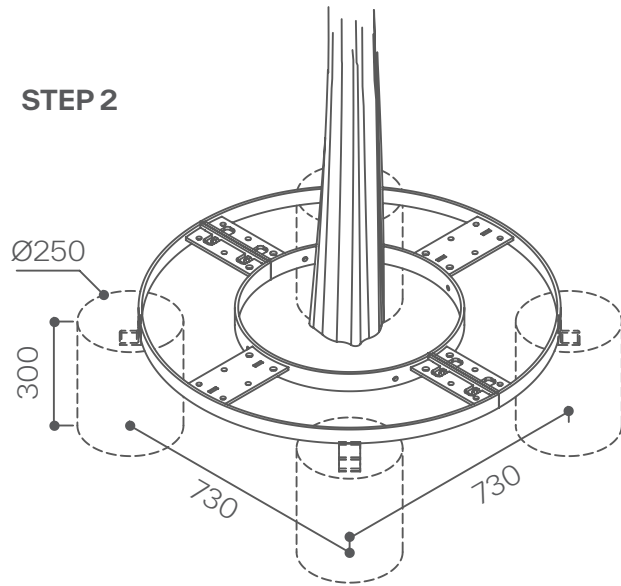
FOR AREAS ALREADY PAVED

1. Level the soil around the tree to approximately 50mm below finished paving level.
2. Remove soil at 4 no. positions around the perimeter where the frame tabs are to be located (note the orientation of the joints will be determined by the orientation of the frame).
3. Place the two halves of the frame around the tree and insert 4 no. bolts and tighten.
4. Level the frame, the top surface should be 10mm below finished paving level.
5. If required cast the 4 no. frame tabs in concrete haunchings.
6. Place the 4 no. segments on the frame and ensure they are level and aligned.
7. Pave up to edge of tree grille.

STEP 1



STEP 2



STEP 3

