



# OMOS

v32m  
Chair

[www.omos.ie](http://www.omos.ie)  
+ 353 45 899 802





# v32m Chair



**DESCRIPTION**

Chair with profile cut steel ends and intermediate supports, galvanized and painted. Surface composed of closely spaced steel bars for comfort and fast water run-off after rain.

**DIMENSIONS**

Width 605mm, Depth 729mm, Height 830mm (Seat Height 455mm).

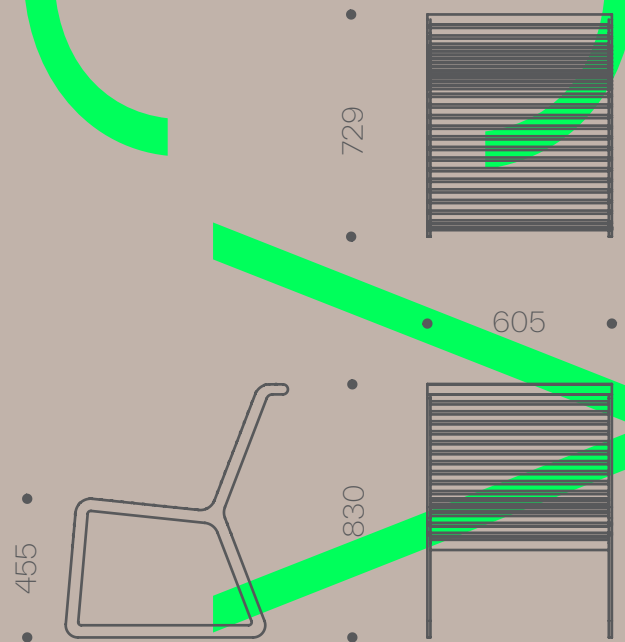
**OPTIONS**

Choice of RAL colours for powder coating. With or without armrests.

Constructed from powder coated galvanized steel, the small profile of the bars and their high frequency create a refined lightweight aesthetic.

The profile-cut steel ends and intermediate supports, connected by high-strength solid steel bars, belie its delicate appearance. The small surface area of the bars ensures moisture dissipates quickly from the bench surface. The chair is available with or without armrests.

The chair can be left free standing as well as root or tab fixed to the ground.



# v32m Chair Fixing Instructions

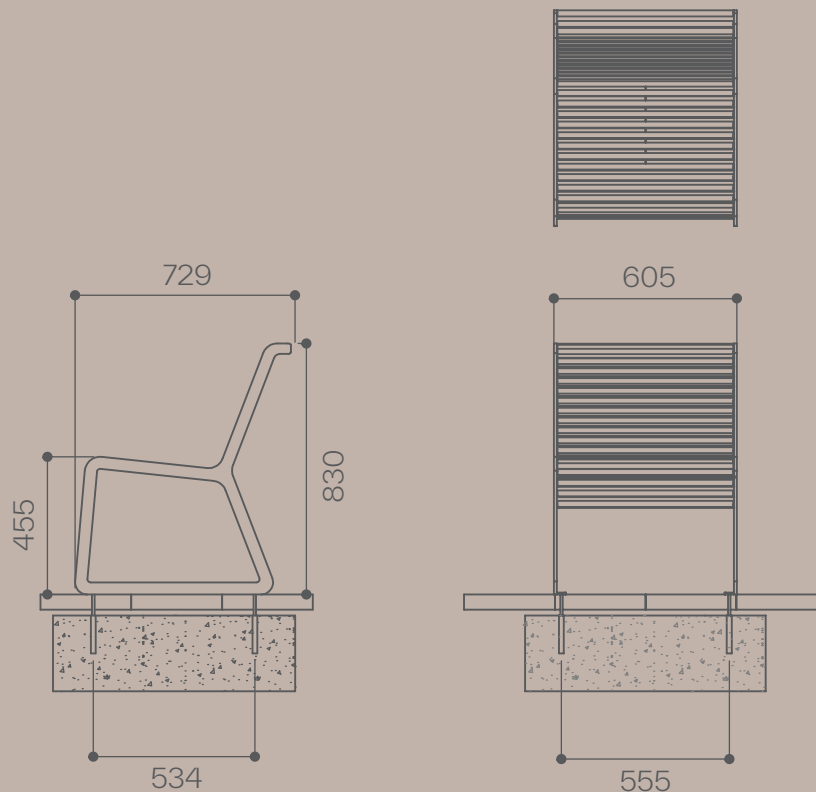
## TAB FIXING

### FOR AREAS ALREADY PAVED

1. Determine the location for the chair. Remove the pavers and excavate a hole. The size of the foundation may vary depending on the ground conditions.
2. Fill the holes with 35N20 concrete up to 15mm below the level of the underside of the pavers ensuring a good smooth surface finish.
3. Allow sufficient time for the concrete to set then apply a layer of dry sand/cement mix over the pad. Compact and adjust to bring this to the level of the underside of the paving.
4. Replace the paving slabs and ensure that they are well bedded in.
5. Place the chair in the desired location and mark through the fixing holes making sure this is done accurately.
6. Remove the chair and drill through the paving slabs into the concrete pad below. Drill following fixing manufacturer's instructions to suit the chosen fixing. Choose a fixing which will accept an M8 SS CSK bolt, either a mechanical anchor (such as RS PRO Stainless Steel Drop In Anchor M8 x 30mm) or an internally threaded fixing designed for chemical fixing (such as Hilti HIS-RN M8xL [length to suit]). IMPORTANT, the depth of the hole must be sufficient to allow the fixing to be fully embedded in the concrete rather than partially in the paver and partially in the concrete.
7. Insert the fixings into the ground following fixing manufacturer's instructions. Reposition the chair and screw in M8 SS CSK bolt into the 4 no. fixings. Where chemical fixing is used (such as Hilti HIT-HY 150) leave sufficient time to cure before. Tighten the bolts.

### FOUNDATIONS

The v32m chair can be fixed directly to a concrete slab or to concrete pads beneath paving stones. Foundations must be to engineer's specification.



# v32m Chair Fixing Instructions

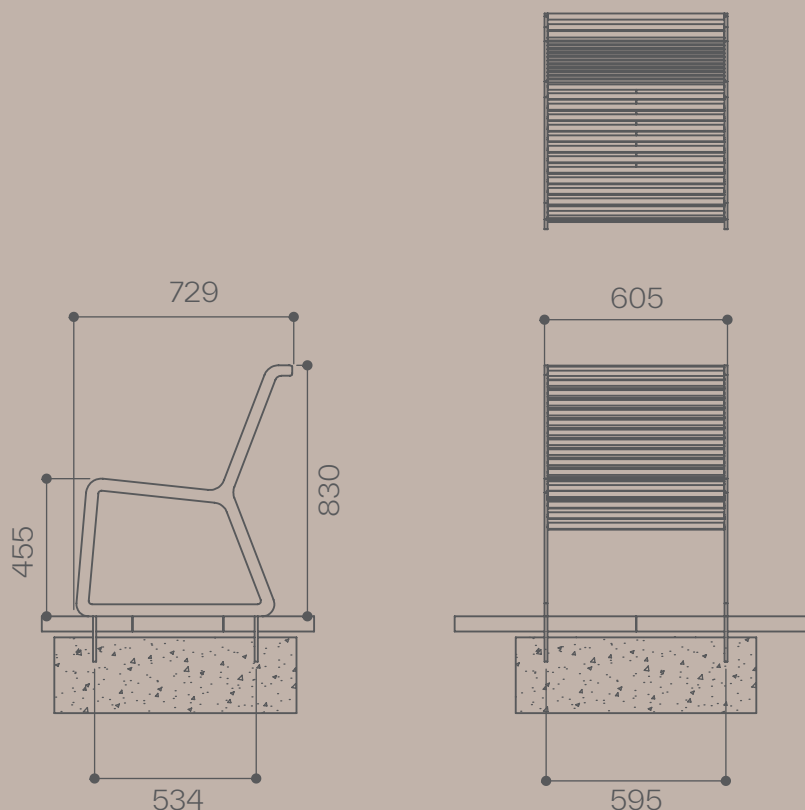
## ROOT FIXED

### FOR AREAS ALREADY PAVED

1. Determine the location for the chair. Remove the pavers and excavate a hole. The size of the foundation may vary depending on the ground conditions.
2. Fill the holes with 35N20 concrete up to 15mm below the level of the underside of the pavers ensuring a good smooth surface finish.
3. Allow sufficient time for the concrete to set then apply a layer of dry sand/cement mix over the pad. Compact and adjust to bring this to the level of the underside of the paving.
4. Replace the paving slabs and ensure that they are well bedded in.
5. Place the chair in the desired location and mark around the four threaded fixings.
6. Remove the chair and drill 12mm holes through the paving slabs into the concrete pad below. Perform a dry fit to ensure the drilled holes are correctly positioned.
7. Using an injectable adhesive anchor such as Hilti HIT-HY 200-A and following manufacturers instructions, inject into the four holes.
8. Reposition the chair ensuring it is fully seated. Remove any excess adhesive which may have been displaced by the anchor bars.

### FOUNDATIONS

The v32m chair can be fixed directly to a concrete slab or to concrete pads beneath paving stones. Foundations must be to engineer's specification.



# Maintaining Powder Coating



## MAINTENANCE

Polyester powder coating is a dry finishing process where a polyester resin powder is applied and then baked onto the surface. This creates a durable, protective finish that resists corrosion, weathering, and UV damage. Its versatility allows for a wide range of colour choices, ensuring vibrant and long-lasting aesthetics for diverse applications.

Despite the powder coating durable properties, some care is required to maintain the appearance of the material. The extent to which maintenance is required will depend on a number of factors including environmental conditions, construction activity and level of use.

To maintain the original appearance of the metalwork it should be cleaned regularly using warm soapy water. Avoid the use of abrasive cleaners as they may damage the surface finish.

Should the paint become chipped or scratched it can be touched up using a colour matching metal paint. Where the surface becomes damaged clean with a wire brush or sand, then paint with an outdoor metal paint, Omos recommends Uni 2k paint which can be purchased from most industrial or automotive paint suppliers. We recommend testing on a hidden area to ensure a good colour match before applying to the damaged region. For further advice contact Omos.