



# OMOS

s96w  
Picnic Set



[www.omos.ie](http://www.omos.ie)  
+ 353 45 899 802

# s96w Picnic Set



**DESCRIPTION**

Powder coated galvanized steel hollow section beam with webs supporting cantilevered table and (asymmetric) or centred (symmetric) hardwood bench.

**DIMENSIONS**

Length 2000mm, Depth 1875mm, Height (Bench) 450mm (Table) 730mm.

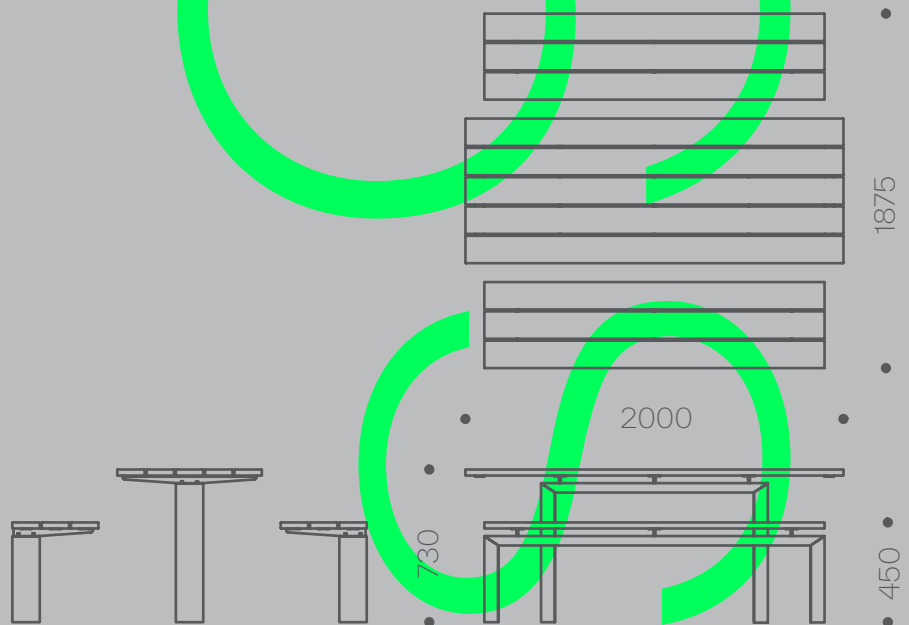
**OPTIONS**

Unfinished hardwood or microporous coating. Choice of RAL colours for powder coating. Custom versions available.

Constructed from powder coated galvanized steel and hardwood. The s96w picnic set integrates practicality with visual appeal.

The asymmetric frame offers a unique and eye-catching visual appearance that sets it apart from traditional designs and the set back table legs provide wheelchair access from either end.

The table and bench are available in a range of fixing options; above ground flange fixed, below ground flange fixed and root fixed.



# s96w Picnic Set Fixing Instructions

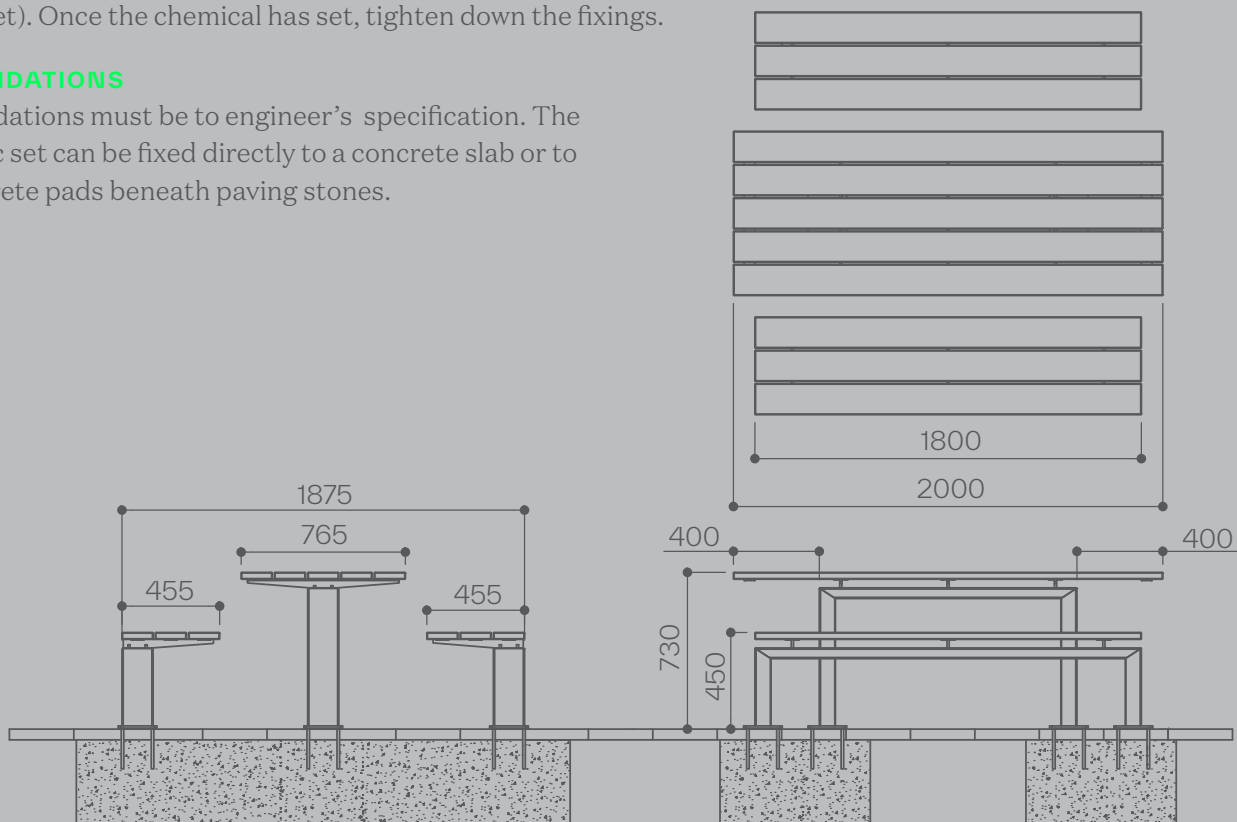
## ABOVE GROUND FLANGE FIXED

### FOR AREAS ALREADY PAVED

1. Determine the location for the picnic set. Remove the pavers and excavate two holes to minimum dimensions of L2300 x W700 x D400mm. The size of the foundations may vary depending on the ground conditions.
2. Fill the holes with 35N20 concrete up to 15mm below the level of the underside of the pavers ensuring a good smooth surface finish.
3. Allow sufficient time for the concrete to set then apply a layer of dry sand/cement mix over the pads. Compact and adjust to bring this to the level of the underside of the paving.
4. Replace the paving slabs and ensure that they are well bedded in.
5. Place the table and benches in the desired location and mark through the fixing holes making sure this is done accurately.
6. Remove the units and drill through the paving slabs into the concrete pad below. Drill following fixing manufacturer's instructions to suit the chosen fixing. Choose a fixing which will accept an M12 SS CSK bolt, either a mechanical anchor (such as Hilti HKD-SR SS316 M12 DROP-IN ANCHOR) or an internally threaded fixing designed for chemical fixing (such as Hilti HIS-RN M12xL [length to suit]). IMPORTANT, the depth of the hole must be sufficient to allow the fixing to be fully embedded in the concrete rather than partially in the paver and partially in the concrete.
7. Where using a mechanical fixing, insert into the ground following the manufacturer's instructions, reposition each unit, insert the bolts and tighten. When using a chemical fixing we recommend loosely attaching the anchors to each unit and positioning them into place. Do a dry run first and then, once satisfied that everything fits, inject the chemical/resin into the holes and install each unit with the anchors attached. Do this one unit at a time to avoid the chemical/resin curing before the anchors are in place. Press down on the bolts before the chemical/resin cures to ensure there is a gap between the top of the anchor and the table and bench leg (this is to ensure the bolt can be tightened after the chemical/resin has set). Once the chemical has set, tighten down the fixings.

### FOUNDATIONS

Foundations must be to engineer's specification. The picnic set can be fixed directly to a concrete slab or to concrete pads beneath paving stones.



# s96w Picnic Set Fixing Instructions

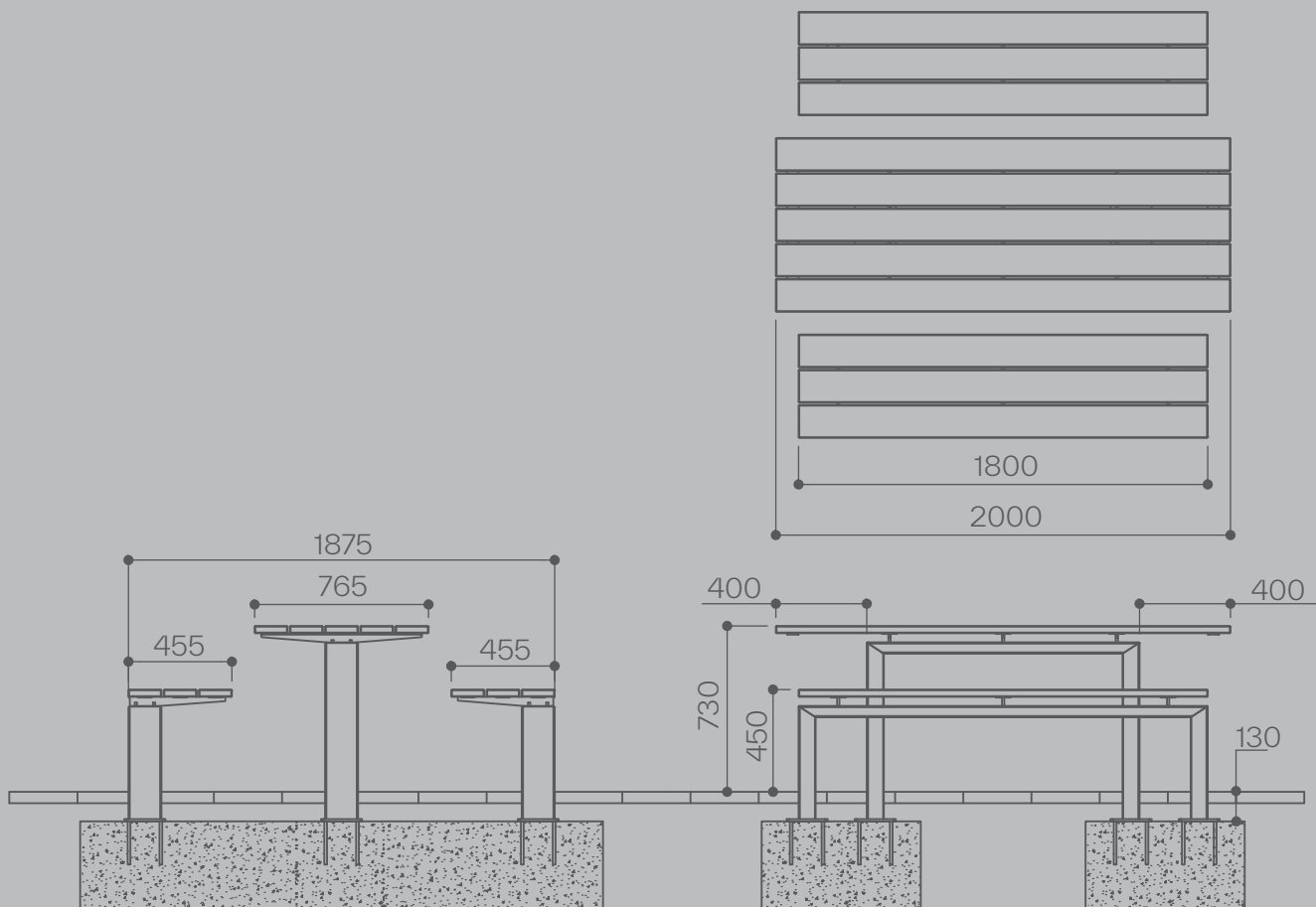
## BELOW GROUND FLANGE FIXED

### FOR AREAS ALREADY PAVED

1. Determine the location for the picnic set. Remove the pavers and excavate two holes to minimum dimensions of L2300 x W700 x D400mm. The size of the foundations may vary depending on the ground conditions.
2. Fill the holes with 35N20 concrete up to 135mm below finished paving level ensuring the pads are level relative to each other (if the paving is not level then aim to achieve an average of 135mm). The pads should be floated smooth.
3. Allow sufficient time for the concrete to set.
4. Place the benches and table in the desired location and mark through the fixing holes making sure this is done accurately.
5. Remove the picnic set and drill into the concrete pad. Drill following fixing manufacturer's instructions to suit the chosen fixing. Use M12 through bolts to fix (such as Hilti HSA M12 x 120).
6. Insert the fixings into the ground following fixing manufacturer's instructions then reposition the table and bench. Screw on and tighten the nuts.
7. Where necessary cut the paving slabs and reinstate ensuring that they are well bedded in.
8. Render neatly around leg tubes with non shrink grout, removing any grout residue.

### FOUNDATIONS

Foundations must be to engineer's specification.



# Hardwood Finishes



## **MICROPOROUS COATED**

The board in the top half of the image is iroko hardwood with a factory applied microporous stain. This finish offers very good resistance to UV rays as well as enriching and enhancing the hardwood's rich colour. Provided the coating surface does not become broken, the colour will not fade for several years. The microporous coating is however vulnerable to conditions where high moisture and severe cold persists. Conditions as these such can cause the coating to blister and lift.

## **UNTREATED**

The board in the bottom half of the image is iroko hardwood that has been freshly sanded and left untreated. When left untreated, the hardwood begins to fade within weeks of exposure to sunlight. After some time, the timber begins to change to a silver-grey achromatic colour. Despite the difference in appearance, the timber remains structurally sound due to its inherent durability.

# Maintaining Microporous Coated Hardwood



## MAINTENANCE

Microporous coated hardwood should be cleaned regularly using mild detergents. After some time, maintenance of the finish is required. To determine the necessary course of action, first assess the condition of the coating and follow the instructions below. We have chosen the three most common conditions that may occur with microporous coatings.

### 1. COATING HAS FADED EVENLY BUT HAS NOT BLISTERED OR FLAKED.

Clean the hardwood thoroughly with soapy water and a scouring pad. Lightly sand the surface. If the coating flakes or is easily removed by sanding, follow the steps detailed for instructions 2 or 3. Apply Sikkens Cetol Filter 7 Plus using a brush. Always follow the coating manufacturer's instructions carefully.

### 2. COATING HAS BLISTERED OR FLAKED BUT IN SMALL PATCHES ONLY (2-3 SQ CM).

Where small areas have blistered, this area should be sanded back locally to bare hardwood. Apply Sikkens Cetol Filter 7 Plus, colour 085 Teak to the sanded area only. Once dry, lightly sand all the timber and apply two coats of Sikkens Cetol Filter 7 Plus across the entire timber surface. Always follow the coating manufacturer's instructions carefully.

### 3. COATING HAS BLISTERED OR FLAKED ACROSS LARGE AREAS.

Where large areas have blistered or flaked, that damaged face should be sanded back to bare hardwood. Apply two or three coats of Sikkens Cetol Filter 7. Always follow the coating manufacturer's instructions carefully.

Timber is a natural product therefore warping and cracking can occur. It is important to inspect your timber regularly. Whenever cracks appear they should be sanded to eliminate any sharp edges. Splinters should be pared away or sanded. If the function, structure, performance or safety of the product is affected, the piece of timber should be replaced.

# Maintaining Unfinished Hardwood



## MAINTENANCE

Iroko is an extremely durable hardwood and does not require a protective coating to preserve its structural properties. Without maintenance timber will turn grey, as seen in the left-hand side of image above. To help preserve the colour, you may apply an oil such as tung oil or linseed oil, or use a microporous coating. Timber is a natural product therefore warping and cracking can occur. It is important to inspect your timber regularly. Whenever cracks appear they should be sanded to eliminate any sharp edges. Splinters should be pared away or sanded. If the function, structure, performance or safety of the product is affected, the piece of timber should be replaced.

Cleaning can be done using a number of methods. For regular cleaning use a scrubbing brush or scouring pad with warm water and a mild detergent. Take care to avoid contact with any metal or painted surfaces on the product when using an abrasive method of cleaning. Timber that has been left for some time unmaintained can be restored using a wood cleaner/restorer product such as Owatrol Net-trol Wood Cleaner and Brightener. Such products are widely available, when applying follow the product's user instructions carefully.

The timber can be brought back to its natural colour by sanding. Start with a coarse sanding block (60 grit) and work up through the grades to finish with 120 grit.

# Maintaining Powder Coating



## MAINTENANCE

Polyester powder coating is a dry finishing process where a polyester resin powder is applied and then baked onto the surface. This creates a durable, protective finish that resists corrosion, weathering, and UV damage. Its versatility allows for a wide range of colour choices, ensuring vibrant and long-lasting aesthetics for diverse applications.

Despite the powder coating durable properties, some care is required to maintain the appearance of the material. The extent to which maintenance is required will depend on a number of factors including environmental conditions, construction activity and level of use.

To maintain the original appearance of the metalwork it should be cleaned regularly using warm soapy water. Avoid the use of abrasive cleaners as they may damage the surface finish.

Should the paint become chipped or scratched it can be touched up using a colour matching metal paint. Where the surface becomes damaged clean with a wire brush or sand, then paint with an outdoor metal paint, Omos recommends Uni 2k paint which can be purchased from most industrial or automotive paint suppliers. We recommend testing on a hidden area to ensure a good colour match before applying to the damaged region. For further advice contact Omos.